



# **SNMP-NV6 Client Shutdown Software (for Windows)**

## **User's Manual**

## Introduction

The SNMP-NV6 Client is designed to provide the user the ability to take proactive steps to protect their equipment from power related damages. The SNMP-NV6 Client allows for automatic shutdowns, scheduled shutdowns and a variety of other features that help you manage your system and its peripheral components.

The SNMP-NV6 Client provides detailed information about the UPS and its protected equipment. It is easy to install and program, yet has the necessary features to handle all of one's power requirements.

The SNMP-NV6 Client runs in the background as a Windows service, and communicates with the UPS through SNMP in order to ensure that your computer and attached components are protected from any power problems.

### SNMP-NV6 Client features:

- Graceful operating system shutdown
- Scheduled tests, shutdown/restarts of the UPS
- Notification: e-mail, audible alarm, network broadcasting and SMS
- Real-time values of voltage, current, frequency, loading and battery
- Historical data and graph
- Network monitoring
- Multi-computer shutdown/restart
- Supports Simple Network Management Protocol (SNMP)

## SNMP-NV6 Client Installation

### SNMP-NV6 Client Setup:

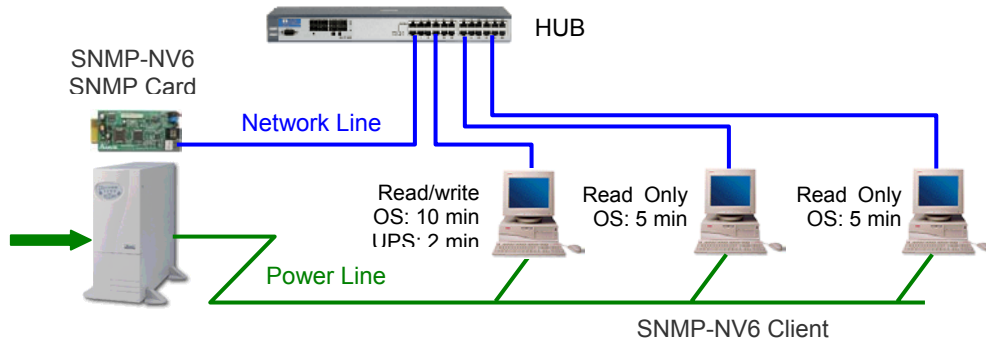
1. Locate the SNMP-NV6 CD and install the SNMP-NV6 Client program.
2. Once the installation is complete, the program will create an SNMP-NV6 Client association.  
Help: SNMP-NV6 Client on-line help.  
Setup: To modify, repair or remove SNMP-NV6 Client from your hard disk.  
SNMP-NV6 Monitor: A user-friendly interface that allows you to view the event logs and monitor your UPS.  
SNMP-NV6 Service: SNMP-NV6 service program is used to communicate with your UPS.
3. Now the SNMP-NV6 Service should be running in your system, move your mouse over the system tray and right click on the icon to open the menu. Select Property, then enter the IP address or Hostname for the SNMP card and then assign the community string. This community string should be the same as it is in the SNMP card.

### Configuring the SNMP-NV6 SNMP Card:

Before configuring the SNMP device you will need to have an administrator account and password. Open the SNMP Access Control page and add your IP address and community string. **Note:** The community string must be the same as the SNMP-NV6 Client's. If you would like to turn off the UPS after the OS shutdown then select the read/write access level, otherwise, select the read only access level. An ideal plan for multiple server shutdowns is to select one or two servers, which have the read/write access level, which should be the last server(s) to be shutdown and assign the read only access level for the others.

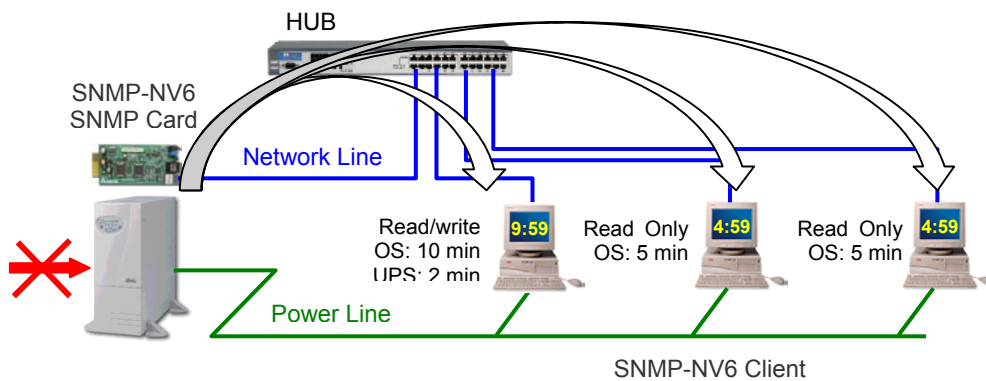
**Configuration:**

There are 3 servers, which are powered by the UPS and all of them retrieve information from the SNMP-NV6 SNMP card. In this case, only one server is assigned the read/write permission to shutdown the UPS, the others are assigned read only access to shutdown the operating systems.



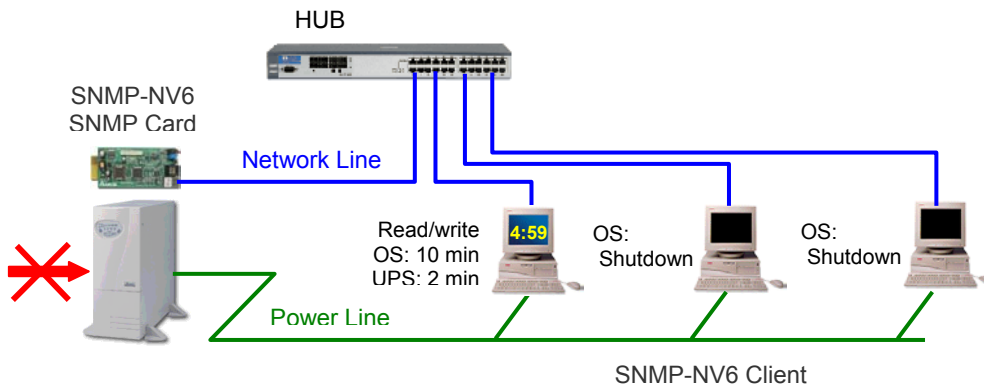
**Power Fail:**

Once a power fail event occurs, all of the servers will begin the shutdown process.



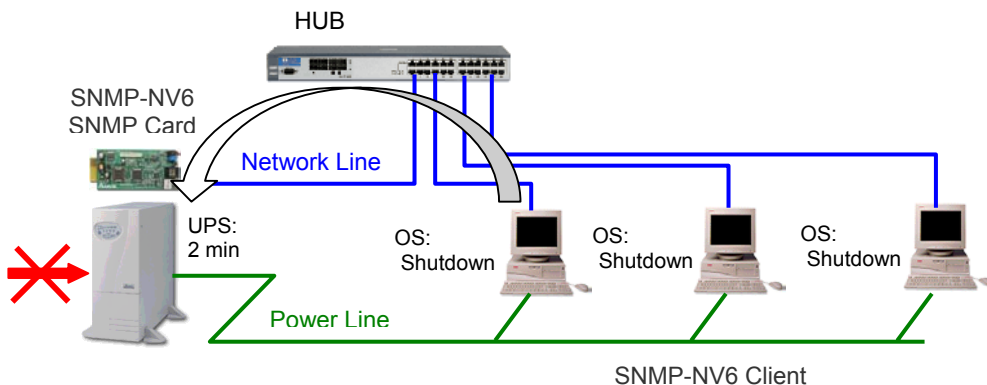
**Power Fail Last 5 Minutes:**

When the countdown timer reaches 0, SNMP-NV6 Client shuts down the operating system gracefully.



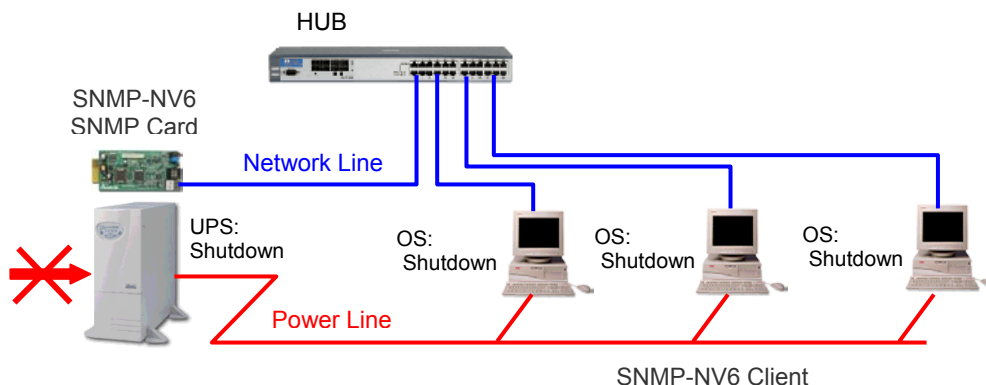
### Power Fail Last 10 Minutes:

Before the read/write permission server shuts down, SNMP-NV6 Client will send a delay shutdown UPS command to the SNMP-NV6 SNMP card and then it will shutdown the operating system.



### Power Fail Last 12 Minutes:

The UPS shuts down to prevent over discharging the battery.



## SNMP-NV6 Service

The SNMP-NV6 Service runs in the background as a Windows Service when the system initiates. You can also run SNMP-NV6 Service manually by selecting the Start Menu-Program Files - SNMP-NV6 Client - SNMP-NV6 Service. Once the SNMP-NV6 Service starts there will be an SNMP-NV6 Service icon located in the system tray to indicate UPS status.

Right clicking the SNMP-NV6 Service icon in the system tray will open the menu to display the following items:

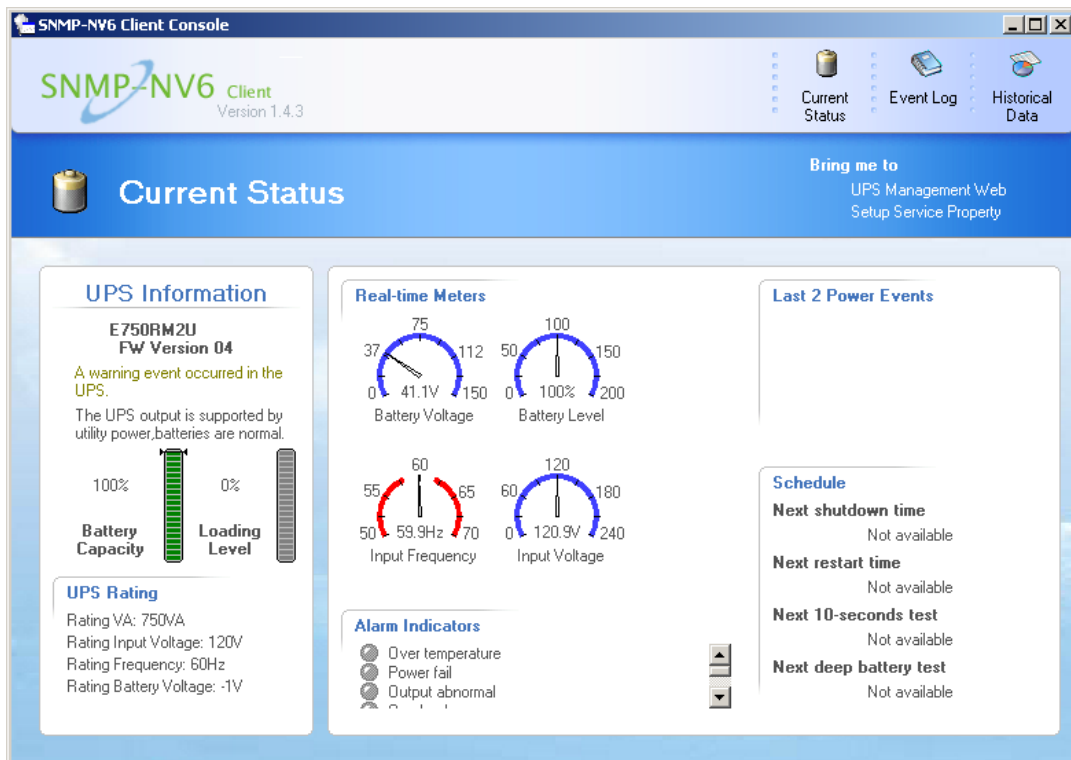
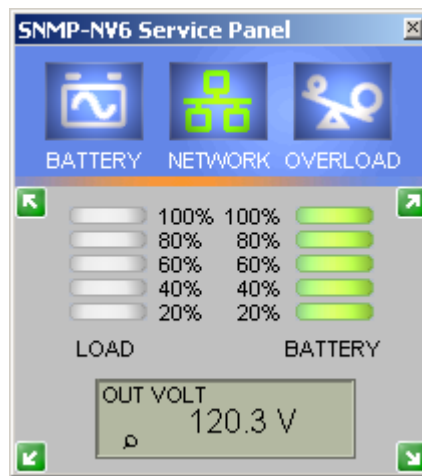
- Console Monitor: User interface.
- Service Panel: Shows the current status of then UPS.
- Property: Allows you to change the SNMP-NV6 Client parameters.
- Show Panel: Shows SNMP-NV6 Service panel when the system initiates.
- Topmost Panel: Keeps the program in the foreground.
- Stop SNMP-NV6 Service: If this item is checked SNMP-NV6 Client Service is stopped. Uncheck it and the program will resume.

## SNMP-NV6 Monitor

The SNMP-NV6 Monitor enables you to monitor the UPS through the Main Screen. It is not necessary for SNMP-NV6 Monitor to reside in your computer's memory the execution depends on the user's requirement. This can save precious system resources.

After finishing the SNMP-NV6 Client installation, SNMP-NV6 Service automatically loads into memory and runs once the Windows operating system starts up. There is an SNMP-NV6 Service icon that is in the system tray to indicate current UPS status.

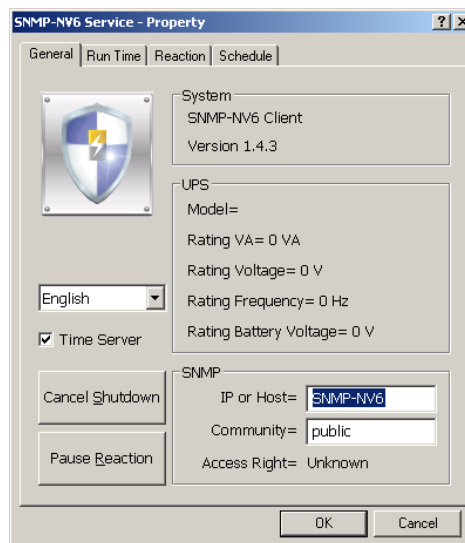
To run the SNMP-NV6 Monitor, double click on the Service icon or right click then select Console Monitor to run the program. You can also launch SNMP-NV6 Monitor by selecting the SNMP-NV6 Monitor from Program Files – SNMP-NV6 Client.



## SNMP-NV6 Service - Property

### General:

- Displays the SNMP-NV6 Client version and UPS rating values.
- IP or Host: This field needs to be assigned the IP address or the hostname of the SNMP-NV6 SNMP card.
- Community: The community is part of an identification of SNMP protocol. Make sure it is the same as it is in the SNMP-NV6 SNMP card SNMP Access Control page.
- Time Server: Enable this option to run a network time service to provide time and date to the SNMP-NV6 SNMP card. The SNMP-NV6 SNMP card needs to be assigned the host IP address in the Time Server page.
- Cancel Shutdown: This will cancel the shutdown action.
- Pause Reaction: This will abort the current actions, but if another power event occurs the actions will resume.



### Run Time:

The unattended Shutdown can be setup here, if you would like to shutdown the UPS after the OS has shutdown you must have administrative rights.

### Reaction:

There are 5 actions for power events, audible alarm, network broadcast, e-mail, SMS and customer command.

**Note:** The Messenger service must be running if you want to broadcast a message.

To send a short message to a mobile phone, you need to prepare a GSM modem or mobile phone and connect it to the computer. The SNMP-NV6 Client communicates with this local mobile phone through enhanced AT commands to send power event message to another mobile phone.

### Schedule:

The SNMP-NV6 Client supports two kinds of shutdown schedules – (1) Weekly Schedule, (2) Special Day Schedule. Set both of these options to schedule your system shutdown and restart times.